



ILLUMINATOR™

12,000-LUMEN LED WORKLIGHT



41921

OPERATOR'S MANUAL

⚠ CAUTION: To Reduce The Risk Of Injury, User Must Read And Understand Operator's Manual. Save These Instructions For Future Reference.

TABLE OF CONTENTS

General Power Tool Safety Warnings.....	Page 1
Work Area Safety.....	Page 1
Electrical Safety.....	Page 1
Personal Safety.....	Page 1
Power Tool Use and Care.....	Page 2
Service.....	Page 2
Important Safety Instructions.....	Page 2
Specifications.....	Page 3
Parts List.....	Page 3
Assembly Instruction.....	Page 4
Operation.....	Page 5
Warranty.....	Page 5

GENERAL POWER TOOL SAFETY WARNINGS

⚠ WARNING:

Read all safety warnings and instructions. Failure to follow the warnings and instructions may result in electric shock, fire and/or serious injury.

The term "power tool" in the warnings refers to your mains-operated (corded) power tool or battery-operated (cordless) power tool.

WORK AREA SAFETY

- a) **Keep work area clean and well lit.** Cluttered or dark areas invite accidents.
- b) **Do not operate power tools in explosive atmospheres, such as in the presence of flammable liquids, gases or dust.**
Power tools create sparks which may ignite the dust or fumes.
- c) **Keep children and bystanders away while operating a power tool.** Distractions can cause you to lose control.

ELECTRICAL SAFETY

- a) **Power tool plugs must match the outlet. Never modify the plug in any way. Do not use any adapter plugs with earthed (grounded) power tools.**
Unmodified plugs and matching outlets will reduce risk of electric shock.
- b) **Avoid body contact with earthed or grounded surfaces, such as pipes, radiators, ranges, and refrigerators.**
There is an increased risk of electric shock if your body is earthed or grounded.
- c) **Do not expose power tools to rain or wet conditions.**
Water entering a power tool will increase the risk of electric shock.
- d) **Do not abuse the cord. Never use the cord for carrying, pulling or unplugging the power tool. Keep cord away from heat, oil, sharp edges or moving parts.**
Damaged or entangled cords increase the risk of electric shock.
- e) **When operating a power tool outdoors, use an extension cord suitable for outdoor use.**
Use of a cord suitable for outdoor use reduces the risk of electric shock.
- f) **If operating a power tool in a damp location is unavoidable, use a residual current device (RCD) protected supply.**
Use of an RCD reduces the risk of electric shock.

PERSONAL SAFETY

- a) **Stay alert, watch what you are doing, and use common sense when operating a power tool. Do not use a power tool while you are tired or under the influence of drugs, alcohol or medication.**
A moment of inattention while operating power tools may result in serious personal injury.
- b) **Use personal protective equipment. Always wear eye protection.**
Protective equipment such as dust masks, non-skid safety shoes, hard hats, or hearing protection used for appropriate conditions will reduce personal injuries.
- c) **Prevent unintentional starting. Ensure the switch is in the off-position before connecting to power source and/or battery pack, picking up or carrying the tool.**
Carrying power tools with your finger on the switch or energizing power tools that have the switch on invites accidents.

PERSONAL SAFETY

d) Remove any adjusting key or wrench before turning the power tool on.

A wrench or a key left attached to a rotating part of the power tool may result in personal injury.

e) Do not overreach. Keep proper footing and balance at all times.

This enables better control of the power tool in unexpected situations.

f) Dress properly. Do not wear loose clothing or jewelry. Keep your hair, clothing and gloves away from moving parts.

Loose clothes, jewelry or long hair can be caught in moving parts.

g) If devices are provided for the connection of dust extraction and collection facilities, ensure these are connected and properly used.

Use of dust collection can reduce dust-related hazards.

POWER TOOL USE AND CARE

a) Do not force the power tool. Use the correct power tool for your application.

The correct power tool will do the job better and safer at the rate for which it was designed.

b) Do not use the power tool if the switch does not turn it on and off.

Any power tool that cannot be controlled with the switch is dangerous and must be repaired.

c) Disconnect the plug from the power source and/or the battery pack from the power tool before making any adjustments, changing accessories, or storing power tools.

Such preventive safety measures reduce the risk of starting the power tool accidentally.

d) Store idle power tools out of the reach of children and do not allow persons unfamiliar with the power tool or these instructions to operate the power tool.

Power tools are dangerous in the hands of untrained users.

e) Maintain power tools. Check for misalignment or binding of moving parts, breakage of parts, and any other condition that may affect the power tools operation. If damaged, have the power tool repaired before use.

Many accidents are caused by poorly maintained power tools.

f) Keep cutting tools sharp and clean.

Properly maintained cutting tools with sharp cutting edges are less likely to bind and are easier to control.

g) Use the power tool, accessories and tool bits etc. in accordance with these instructions, taking into account the working conditions and the work to be performed.

Use of the power tool for operations different from those intended could result in a hazardous situation.

SERVICE

a) Have your power tool serviced by a qualified repair person using only identical replacement parts.

This will ensure that the safety of the power tool is maintained.

IMPORTANT SAFETY INSTRUCTIONS

READ AND UNDERSTAND ALL WARNINGS, CAUTIONS AND OPERATING INSTRUCTIONS BEFORE USING THIS EQUIPMENT.

Failure to follow all instructions listed below may result in electric shock, fire and/or serious personal injury.

⚠ CAUTION: **RISK OF ELECTRIC SHOCK.** Do not use with extension cord near water or where water may accumulate. Keep work light at least 16 feet from pools and spas. Keep plugs and receptacles dry. Use only three wire outdoor extension cords with grounded plugs and grounded receptacles.

⚠ WARNING: **TO REDUCE THE RISK OF FIRE, ELECTRIC SHOCK OR PERSONAL INJURY.** Do not use with extension cord near water or where water may accumulate. Keep work light at least 16 feet from pools and spas. Keep plugs and receptacles dry. Use only three wire outdoor extension cords with grounded plugs and grounded receptacles.

- Ground Fault Circuit Interrupter (GFCI) protection should be provided on the circuit(s) or outlet(s) to be used for wet location work light. Receptacles are available having the built-in GFCI protection and are able to be used for this measure of safety.
- Use only with an extension cord for outdoor use, such as an extension cord of cord type: SW, SW-A, SOW, SOW-A, STW, STW-A, STOW, STOW-A, SJW, SJW-A, SJOW, SJOW-A, SJTW, SJTW-A, or SJTOW, SJTOW-A.
- Do not look directly at the lighted lamps to avoid eye injuries.
- Always keep the work light away from any flammable surface or materials.

IMPORTANT SAFETY INSTRUCTION

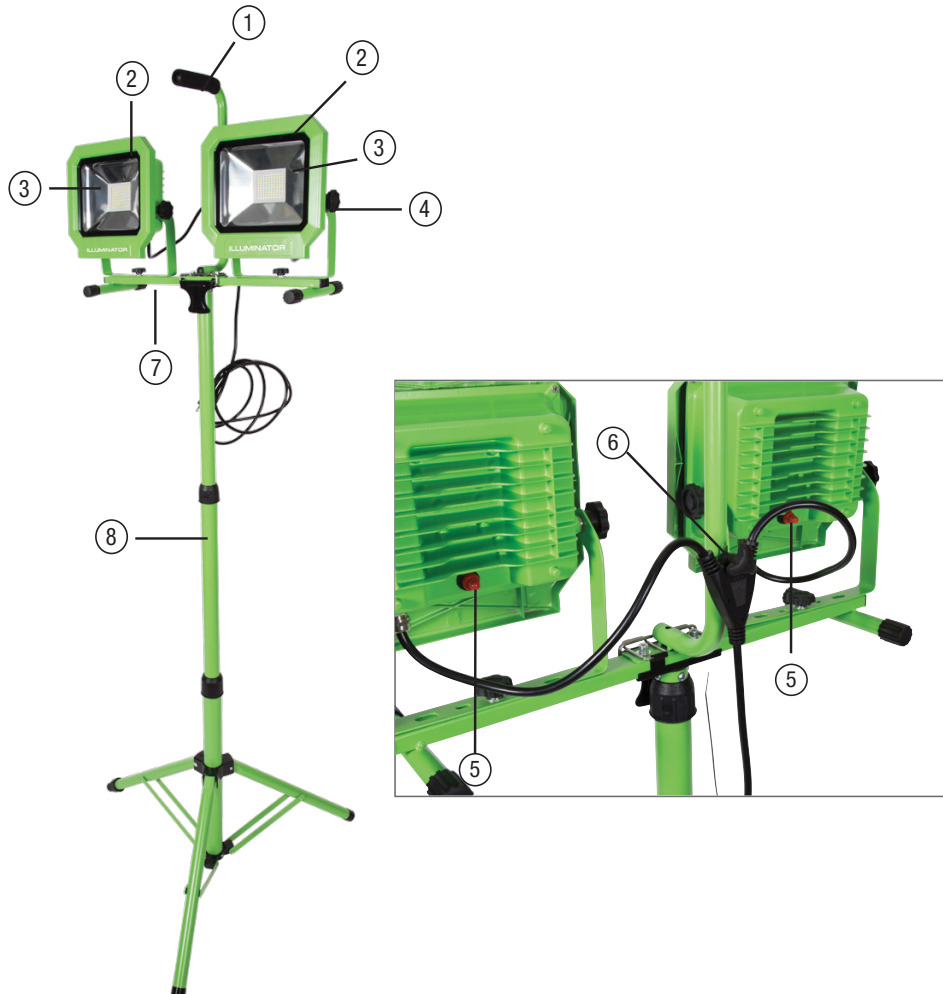
- Always check damaged or worn-out parts before using the work light. Broken parts will affect the work light operation. Replace or repair damaged or worn parts immediately. If repairs are needed, consult a professional electrician.
- Do not use a pressure washer to clean this product.
- Do not modify the work light in any way. Unauthorized modification may impair the function and/or safety and could affect the life of the product. There are specific applications for which the work light was designed.
- Store work light in a secure place out of the reach of children. Inspect it for good working condition prior to storage and before re-use.

SPECIFICATIONS

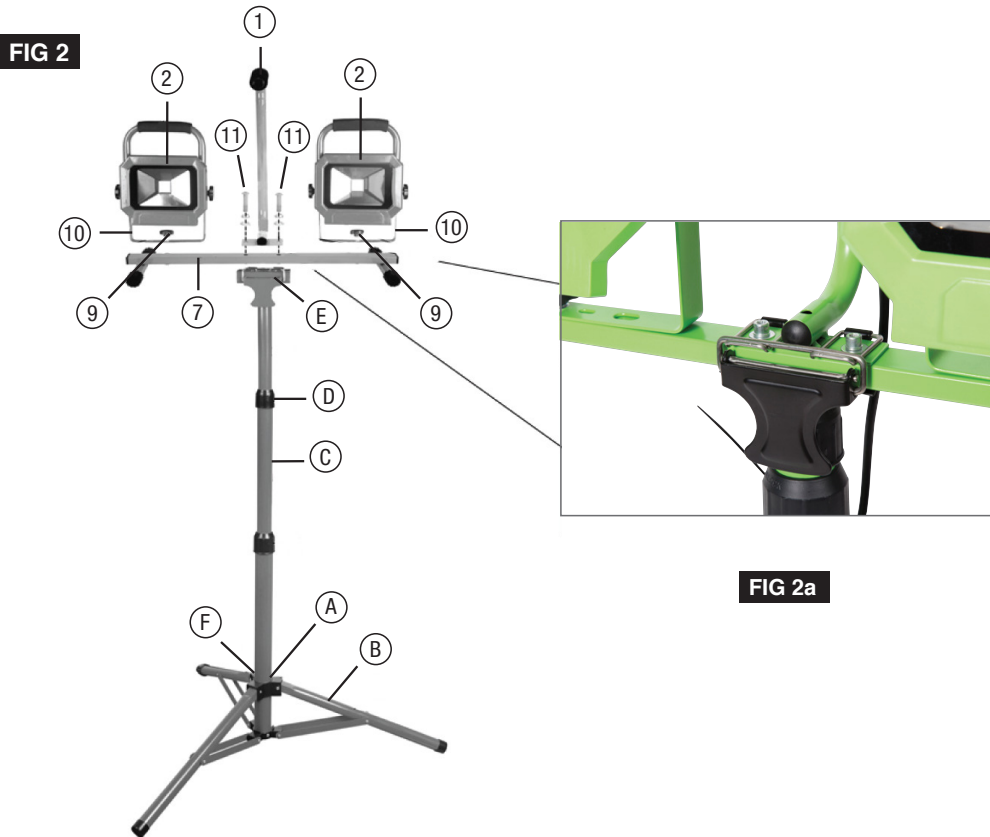
Description	Data
Voltage/Frequency:	110VAC / 60Hz
Power:	100 WATTS
Brightness:	6000 LUMENS (Each Head)
Color Temperature:	6500K Cool White

PARTS LIST

PART #	DESCRIPTION	QTY	PART #	DESCRIPTION	QTY
1	CARRYING HANDLE	1 pcs	5	ON / OFF SWITCH	2 pcs
2	WORK LIGHT HEADS	2 pcs	6	POWER CORD	1 pcs
3	LENS	2 pcs	7	STAND	1 pcs
4	SIDE LOCKING KNOBS	4 pcs	8	TRIPOD	1 pcs



ASSEMBLY INSTRUCTIONS



ADJUSTING THE TRIPOD (Fig. 2)

1. Loosen the tripod locking knob (Part F).
2. Push down the leg connector (Part A) until the legs (Part B) are fully extended. Firmly tighten the tripod locking knob (Part F).
3. Adjust the height of the tripod by loosening the twist collars (Part D) and raising the center poles (Part C) of tripod. Firmly tighten the twist collars when the tripod reaches the desired height.

NOTE: The maximum height of this tripod is 49".

ATTACHING CARRYING HANDLE TO STAND (Fig. 2)

1. Place the carrying handle (Part 1) vertically on the stand (Part 7).
2. Use two bolts (Part 11), flat washers, and spring washers to secure the carrying handle on the stand as shown in Fig. 2.

ATTACHING WORK LIGHT HEADS TO STAND (Fig. 2)

1. Place the stand (Part 7) on a flat surface.
2. Use two six-point locking knobs (Part 9), flat washers, and spring washers to secure both light heads on the sides of the stand as show in Fig 2.

ATTACHING POWER CABLE TO CARRYING HANDLE (Fig. 3)

1. Use a twist knob (Part 12) to attach the power cable connector (Part 13) to the carrying handle as shown in Fig. 3.

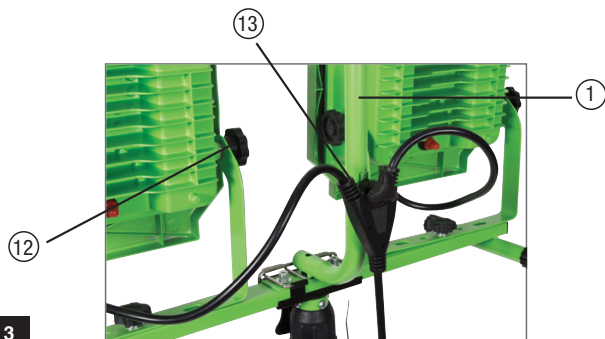


FIG 3

ASSEMBLY INSTRUCTIONS

ATTACHING STAND TO TRIPOD (Fig. 4)

1. Before attaching the stand to tripod, be sure to grasp handle to secure the stand in place.
2. Place the work light assembly on the top of the tripod. The cross bar at the bottom of the stand needs to be sitting in the bracket (Part E).
3. Flip up the two small steel buckles (Part G) over the base of the stand.
4. Lift the large toggle latch (Part H), securing both small buckles, and then snap it downward to ensure the buckles are locked in place.
5. Remove the work light assembly from the bracket in the opposite way.

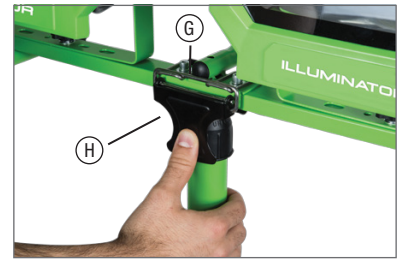


FIG 4

OPERATION

ADJUSTING THE LIGHT DIRECTION

Each head can be tilted vertically up to 30° down or 90° up. To adjust the light direction, loosen the side locking knob (Part 4). Adjust the light head to the desired position, and retighten the knob.

ON/OFF SWITCH

Each light head is equipped with an ON/OFF switch (Part 5) located on the back side of the light. Press the switch once to turn the light on, and press the switch a second time to turn it off. Always turn the light off before unplugging.

MAINTENANCE

Your light requires very little care and maintenance. Simply clean the lens regularly with a non-abrasive cleaner. Use the similar care for the stand and tripod.

⚠️ WARNING: Always make sure the work light is unplugged and completely cool before attempting to clean it.

Do not dispose of electrical appliances as unsorted municipal waste; use separate collection facilities. Contact your local government for information regarding the collection systems available. If electrical appliances are disposed of in landfills or dumps, hazardous substances can leak into the groundwater and get into the food chain, damaging your health and well-being.

ILLUMINATOR™

12,000-LUMEN LED WORKLIGHT

ONE YEAR | LIMITED WARRANTY

This product is backed by a Limited One Year Warranty. This warranty covers manufacturer defects and workmanship. The warranty excludes misuse or abuse and normal wear and tear. Exclusion is not allowed in some states and may not apply. This warranty gives you specific legal rights, and you may have other rights, which vary from state to state.

CALIFORNIA PROPOSITION 65 WARNING: This product contains chemicals known to the State of California to cause cancer, birth defects, or other reproductive harm.

**SAVE YOUR RECEIPTS
THIS WARRANTY IS VOID WITHOUT THEM**