

STEELMAN®

42" WORKTABLE ADJUSTABLE SAWHORSE OPERATOR'S MANUAL



⚠ CAUTION: To reduce the risk of injury, user must read and understand this operator's manual. Save these instructions for future reference.

TABLE OF CONTENTS

PARTS LIST.....	3
SAFETY AND WARNINGS.....	3-4
SETTING UP YOUR SAWHORSE.....	4-5
WARRANTY.....	6
NOTES.....	7

PARTS LIST

#	DESCRIPTION
1	Legs
2	Release Button
3	Cross Brace
4	Lock Button
5	Support Arms

SPECIFICATIONS

HEIGHT	32.5"
WIDTH	42"
DEPTH	24.25"
WEIGHT	17.5 lbs.
LOAD CAPACITY	1,300 lbs.



SAFETY AND WARNINGS

Reference this manual for all safety warnings and precautions, operating and maintenance procedures, parts list and diagrams. Keep your invoice with this manual and write your invoice number on the inside of the front cover. Keep the manual and invoice in a safe, dry place for future reference.

WARNING: Be sure to read and understand all safety instructions in this manual, including all safety alert symbols such as “danger”, “warning”, and “caution” before using this tool.

WARNING: To reduce the risk of personal injury, read and understand the instructions. Sawhorse legs must be fully open. Be sure to read and understand all safety instructions in this manual, including all safety alert symbols such as “danger”, “warning”, and “caution” before using this tool.

CAUTION: Do not apply weight in excess of 1,300 lbs (590 kg) of uniformly distributed load on sawhorse. Do not use as a step ladder or standing platform.

NOTE: For your safety, please ensure you read these instructions carefully before use and keep these instructions in the work space where the sawhorse will be used.

SAFE OPERATION AND USE OF THIS SAWHORSE

1. When lifting the sawhorse, use proper lifting techniques to avoid personal injury.
2. Ensure work area is well lit while working.
3. Ensure sawhorse is standing on a level surface that is clear, dry and free of debris.
4. Ensure all four legs have solid contact with the floor. If the sawhorse is not positioned level and straight, loads placed upon it could fall, potentially causing damage to the item(s) loaded on it, and possible severe personal injury or death.
5. Ensure the load placed on any sawhorse does not exceed the applicable Safe Working Load Rating. Overloading can lead to failure of the sawhorse, potentially causing damage to the item(s) loaded on it, and possible severe personal injury or death.
6. Never stack sawhorses to obtain extra height.

SETTING UP YOUR SAWHORSE

1. Press the Release Button and fold down the first set of legs (Fig 1).
2. Make sure legs and 2x4 support are fully deployed (Fig 2).
3. Spread legs and be sure to push the cross brace flat (Fig 3).
4. Press Release Button and fold down second set of legs (Fig 4).
5. Make sure legs and 2x4 supports are fully deployed (Fig 5).
6. Spread legs and be sure to push the cross brace flat (Fig 6).
7. Extend legs by pulling them down. Retract legs by pressing the Lock Button, slide leg down slightly then retract to desired position (Fig 7).
8. Place 2x4s in Support Arms and place a sheet of OSB or plywood on top to make a work table (Fig 8).

FIG. 1

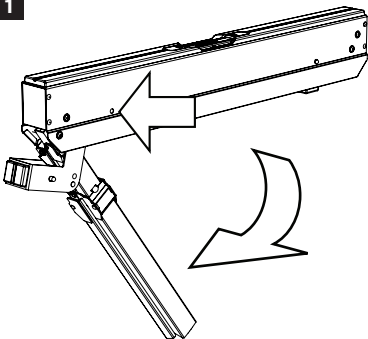


FIG. 2

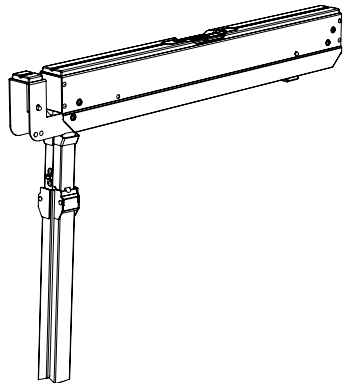


FIG. 3

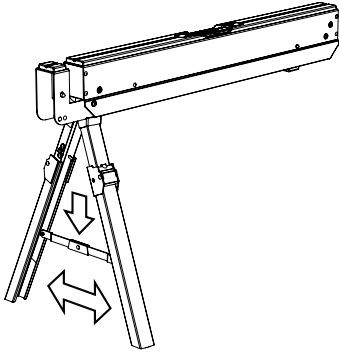


FIG. 4

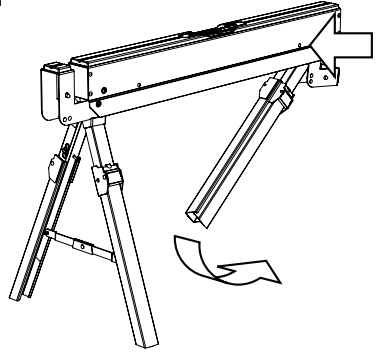


FIG. 5

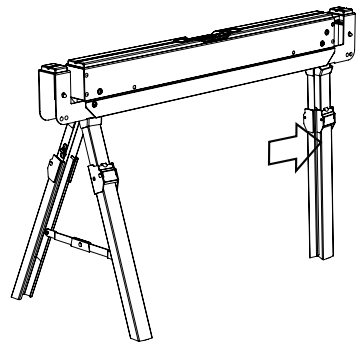


FIG. 6

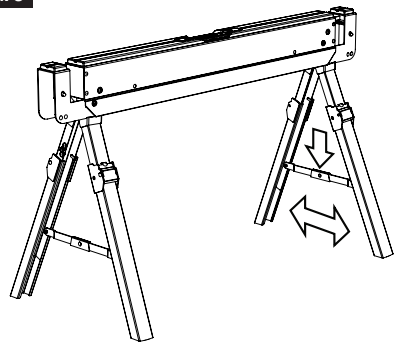


FIG. 7

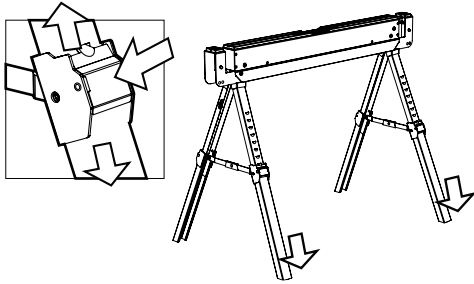
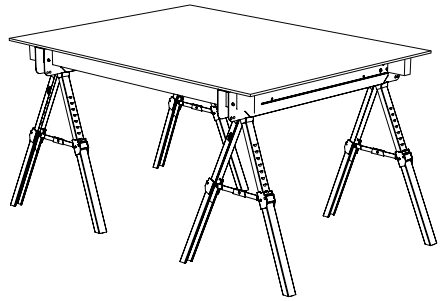


FIG. 8



WARRANTY



1 YEAR | LIMITED WARRANTY

This STEELMAN® product is backed by a 1 Year Limited Warranty. This warranty covers manufacturer defects and workmanship. The warranty excludes misuse or abuse and normal wear and tear. Exclusion is not allowed in some states and may not apply. This warranty gives you specific legal rights, and you may have other rights, which vary from state to state.

For questions / comments, technical assistance or repair parts,
Please call toll free at: 1-855-706-1550 (M-F 6am - 4:30pm PST)

Before sending a unit back for repair, an RMA (return materials authorization) number must be obtained and written on the outer shipping box. Please submit a ticket online at <http://www.steelmantools.com/contacts> to receive an RMA number. We will determine if the unit needs to come in for repairs or replacement. Warranty claims that cannot be processed through the point of purchase and any other product related questions should be addressed directly to JS Products.



STEELMAN®

07.16.2020

JS PRODUCTS • 6445 MONTESSOURI STREET • LAS VEGAS, NV 89113
CUSTOMER SERVICE: 1-855-706-1550 • WWW.STEELMANTOOLS.COM