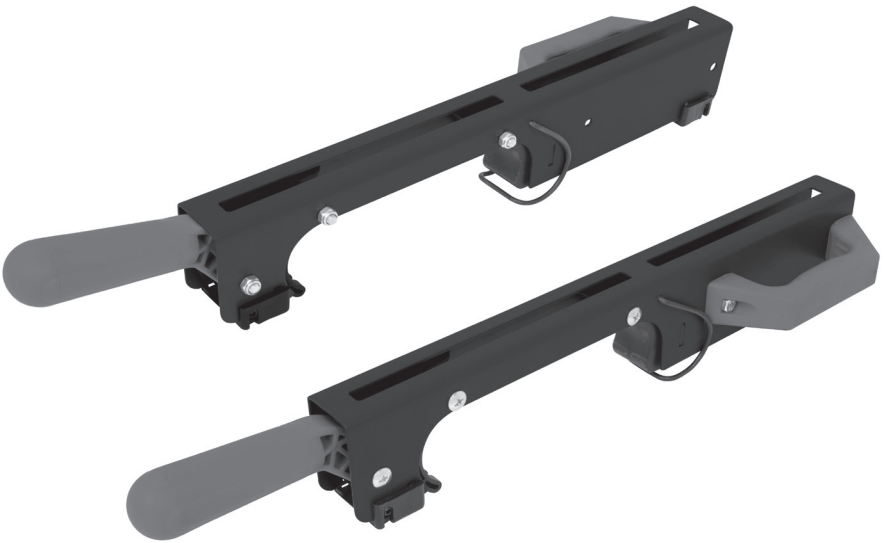


67111

STEELMAN®

2 PC. TOOL MOUNT BRACKET ACCESSORY OPERATOR'S MANUAL



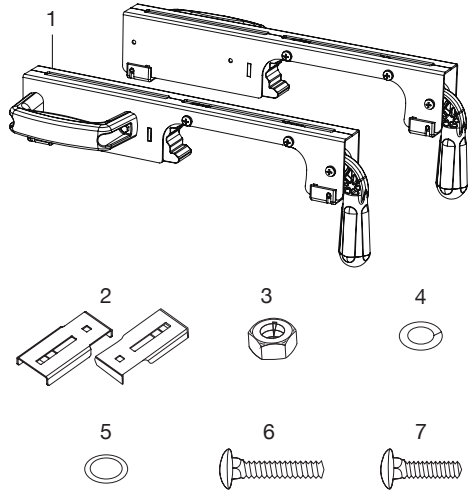
⚠ CAUTION: To reduce the risk of injury, user must read and understand this operator's manual. Save these instructions for future reference.

TABLE OF CONTENTS

PARTS LIST.....	2
SPECIFICATIONS.....	2
SAFETY AND WARNINGS.....	3
OVERVIEW.....	3
ASSEMBLY INSTRUCTIONS.....	3-6
ATTACHING YOUR MITER SAW OR OTHER BENCH TOP POWER TOOLS.....	3-4
OFFSET MOUNTING.....	4
MOUNTING THE TOOL ASSEMBLY TO THE TOOL STAND.....	5
TO REMOVE THE TOOL ASSEMBLY FROM STAND.....	6
MAINTENANCE.....	6-7
TOOL MOUNT ADJUSTMENT SCREW.....	6
TO ADJUST.....	6-7
GENERAL MAINTENANCE.....	7
WARRANTY.....	7

PARTS LIST

#	DESCRIPTION	QTY.
1	Tool Mount Bracket Accessory	1 set
2	Offset Mounting Brackets	2
3	Nut M8	6
4	Spring Washer #8	6
5	Washer #8	6
6	Carriage Bolt M8*60	4
7	Carriage Bolt M8*20	2



SPECIFICATIONS

LENGTH	20.5"
WIDTH	3.5"
HEIGHT	3"
WEIGHT	5.1 lbs.
MATERIAL	Steel

SAFETY AND WARNINGS

Reference this manual for all safety warnings and precautions, operating and maintenance procedures, parts list and diagrams. Keep your invoice with this manual and write your invoice number on the inside of the front cover. Keep the manual and invoice in a safe, dry place for future reference.

CAUTION: To Reduce the risk of injury, user must read and understand operator's manual. Save these instructions for future reference.

WARNING: Be sure to read and understand all safety instructions in this manual, including all safety alert symbols such as “danger”, “warning”, and “caution” before using this tool. Failure to follow all instructions listed below may result in electrical shock, fire and/or serious personal injury.

GENERAL SAFETY INSTRUCTIONS FOR POWER TOOLS

Using power tools of any kind can be dangerous if safe operating procedures are not followed. Recognizing the hazards of each tool and using them with respect and caution considerably limit the possibility of personal injury. However, if safety precautions are ignored, personal injury will likely result. Always use common sense – your personal safety is your responsibility.

1. Know your power tool. Read and understand the Operator's Manual and observe the warnings and instruction labels affixed to the tool.
2. Wear safety goggles.
3. Wear safety apparel.
4. Never stand or sit on anything attached to these brackets.
5. Replace damaged components immediately.
6. Make sure your work platform is sufficiently sturdy to do the specific job at hand.
7. Think Safety. Safety is a combination of operator awareness, common sense and alertness at all times.

OVERVIEW

You have just purchased a set of Tool Mount Bracket Accessory. This product has been specifically designed to assist you in the use of your 10" - 20" miter saw, as well as increasing efficiency with other bench top tools such as table saws, band saws, scroll saws, planers, etc.

ASSEMBLY INSTRUCTIONS

ATTACHING YOUR MITER SAW OR OTHER BENCH TOP POWER TOOLS (FIG. 1-2)

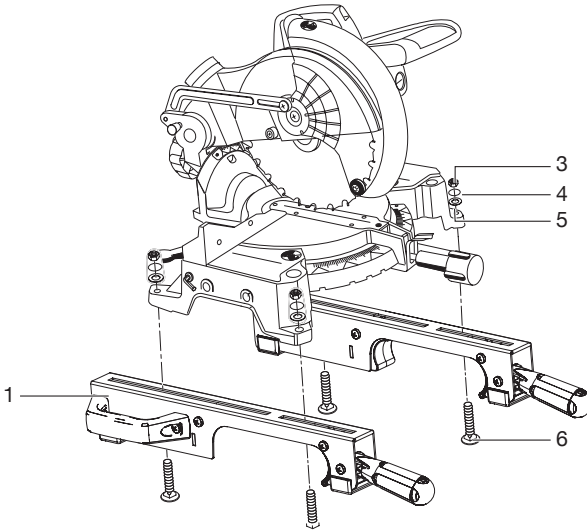
Various bench top tools can be attached to the Tool Mount Bracket Accessories. Always position the tool to achieve maximum balance and stability. All four corners of the saw must be bolted to the tool mounts before use. Make sure the bolts do not extend above the table of the miter saw.

1. Unplug the tool and lock down any moving parts.
2. Place a Tool Mount Bracket Accessory (1) underneath the tool, aligning the mounting holes on the tool base with the slot in top of the tool mount.
3. Feed a Carriage Bolt M8*60 (6) up through the tool mount and the mounting hole in the power tool.
4. Secure in place using a Washer #8 (5), Spring Washer #8 (4) and Nut M8 (3).

5. Repeat through the other end of the tool mount.
6. Place the second tool mount underneath the other side of the tool, aligning the mounting holes and repeat steps 1 through 5 on the miter saw base with the opening in the tool mount.
7. After making sure both tool mounts are parallel to each other, finger tighten all four nuts to hold in position.

NOTE: If the tool has holes that do not line up with the slots in the tool mounts, then use the Offset Mounting Brackets (2) (Fig. 2).

FIG. 1

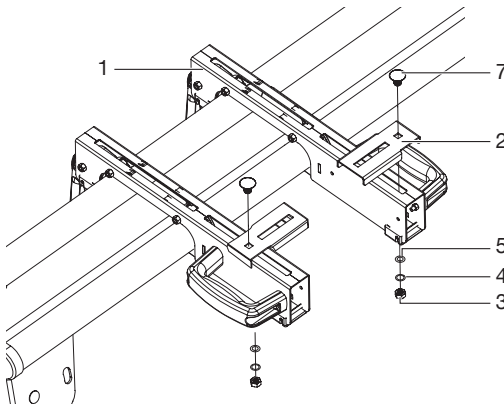


OFFSET MOUNTING (FIG. 2)

Offset Mounting Bracket for miter saws and/or power tools with an irregular mounting hole pattern.

1. Secure Offset Mounting Brackets (2) with the Carriage Bolt(s) M8*20 (7) as shown. (Fig. 2)
2. Brackets can be used on the front or rear of the Tool Mount Bracket Accessory (1).

FIG. 2



MOUNTING THE TOOL ASSEMBLY TO THE TOOL STAND (FIG. 3)

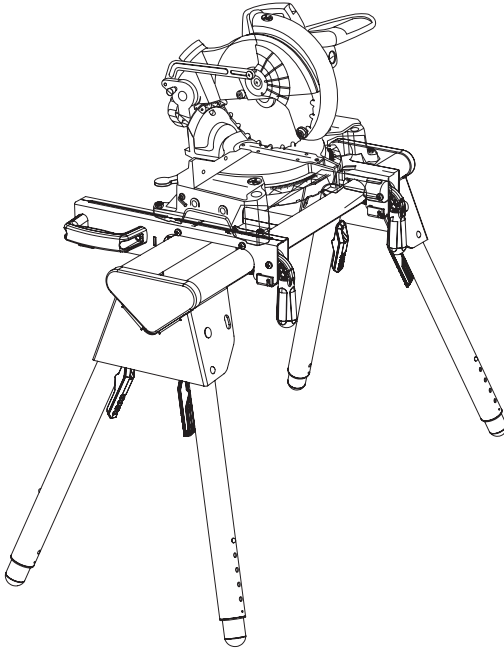
Use the handles located at the rear of the tool mounts to aid in installing or removing saw and tool mount assembly.

1. Lift the tool and tool mount assembly, allowing the assembly to tilt slightly toward your body.
2. While still tilted toward you, hook the front edge of the tool mount assembly onto the front rail of the stand.
3. Lower the tool assembly to allow the rear edge of the tool mount to seat fully over the rear rail.
4. Lock the tool mounts in position by lowering the locking levers.

NOTE: Continue to hold the tool mount assembly with one hand until both levers are securely locked.

5. Check position and adjust, if necessary, to make sure the weight of the tool is evenly balanced over the rails.
6. Ensure the tool is fully seated and locked in position, then securely tighten the four nuts holding the tool to the tool mounts.

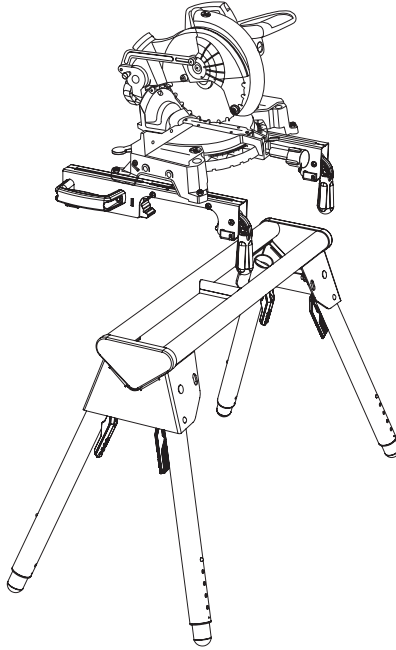
FIG. 3



TO REMOVE TOOL ASSEMBLY FROM STAND (FIG. 4)

1. Raise the locking levers to unlock the tool and tool mounts.
2. Lift away from the rear rail of the stand to disengage.
3. With the assembly tilted slightly toward you, lift the assembly to disengage from the front rail of the stand.

FIG. 4



MAINTENANCE

TOOL MOUNT ADJUSTMENT SCREW

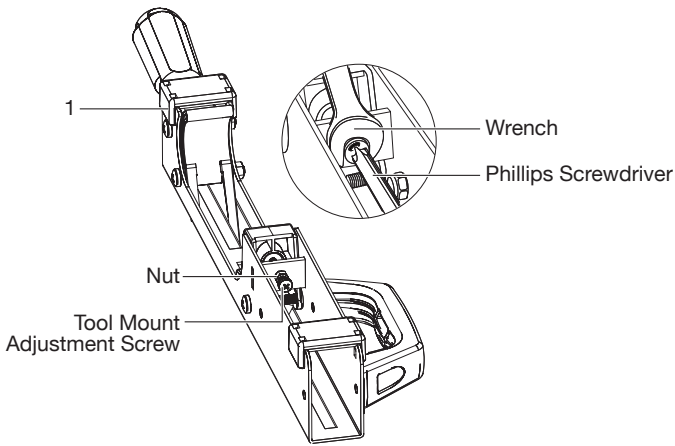
Most plastic tool mounts are designed to fit snugly over the stand rails. With the locking levers in the lowered (locked) position, you should not be able to remove the tool and/or tool mounts assembly from the rails. If the saw and tool mount can be removed from the rails when the levers are locked, the tool mount adjustments screw need to be tightened. If the saw and tool mount assembly will not fit over both rails, the bracket adjustment screws needs to be loosened.

NOTE: The saw should be removed from the tool mounts before attempting to tighten or loosen the tool mount adjustment screws.

TO ADJUST (FIG. 5)

1. Use a wrench to slightly loosen the nut.
2. Turn the screw with a Phillips screwdriver. Rotate clockwise, if the tool mount assembly needs to be tightened. Rotate counterclockwise if the assembly needs to be loosened.
3. Install the tool mount on the miter stand rails and lower the locking lever to check the adjustment.
4. When the correct position is achieved, wrench tighten the nut to secure.
5. Repeat with the second tool mount.

FIG. 5



GENERAL MAINTENANCE

Avoid using solvents when cleaning. Most items are susceptible to damage from various types of commercial solvents. Use clean clothes to remove dirt, dust, oil, grease, etc.

WARRANTY



1 YEAR | LIMITED WARRANTY

This STEELMAN® product is backed by a 1 Year Limited Warranty. This warranty covers manufacturer defects and workmanship. The warranty excludes misuse or abuse and normal wear and tear. Exclusion is not allowed in some states and may not apply. This warranty gives you specific legal rights, and you may have other rights, which vary from state to state.

For questions / comments, technical assistance or repair parts, Please call toll free at: 1-855-706-1550 (M-F 6am - 4:30pm PST)

Before sending a unit back for repair, an RMA (return materials authorization) number must be obtained and written on the outer shipping box. Please submit a ticket online at <http://www.steelmantools.com/contacts> to receive an RMA number. We will determine if the unit needs to come in for repairs or replacement. Warranty claims that cannot be processed through the point of purchase and any other product related questions should be addressed directly to JS Products.



STEELMAN®

08.24.2020

JS PRODUCTS • 6445 MONTESSOURI STREET • LAS VEGAS, NV 89113
CUSTOMER SERVICE: 1-855-706-1550 • WWW.STEELMANTOOLS.COM