



ILLUMINATOR™

2,500-LUMEN LED WORKLIGHT



67124

OPERATOR'S MANUAL

CAUTION: To Reduce The Risk Of Injury, User Must Read And Understand Operator's Manual. Save These Instructions For Future Reference.

TABLE OF CONTENTS

| | |
|------------------------------------|--------|
| General Safety Information..... | Page 1 |
| Work Area Safety..... | Page 1 |
| Electrical Safety..... | Page 1 |
| Personal Safety..... | Page 1 |
| Power Tool Use and Care..... | Page 2 |
| Service..... | Page 2 |
| Important Safety Instructions..... | Page 2 |
| Specifications..... | Page 3 |
| Assembly Instruction..... | Page 3 |
| Operation Instructions..... | Page 3 |
| Warranty..... | Page 4 |

GENERAL POWER TOOL SAFETY WARNINGS

WARNING:

Read all safety warnings and instructions. Failure to follow the warnings and instructions may result in electric shock, fire and/or serious injury.
The term "power tool" in the warnings refers to your mains-operated (corded) power tool or battery-operated (cordless) power tool.

WORK AREA SAFETY

- a) **Keep work area clean and well lit.** Cluttered or dark areas invite accidents.
- b) **Do not operate power tools in explosive atmospheres, such as in the presence of flammable liquids, gases or dust.**
Power tools create sparks which may ignite the dust or fumes.
- c) **Keep children and bystanders away while operating a power tool.** Distractions can cause you to lose control.

ELECTRICAL SAFETY

- a) **Power tool plugs must match the outlet. Never modify the plug in any way. Do not use any adapter plugs with earthed (grounded) power tools.**
Unmodified plugs and matching outlets will reduce risk of electric shock.
- b) **Avoid body contact with earthed or grounded surfaces, such as pipes, radiators, ranges, and refrigerators.**
There is an increased risk of electric shock if your body is earthed or grounded.
- c) **Do not expose power tools to rain or wet conditions.**
Water entering a power tool will increase the risk of electric shock.
- d) **Do not abuse the cord. Never use the cord for carrying, pulling or unplugging the power tool. Keep cord away from heat, oil, sharp edges or moving parts.**
Damaged or entangled cords increase the risk of electric shock.
- e) **When operating a power tool outdoors, use an extension cord suitable for outdoor use.**
Use of a cord suitable for outdoor use reduces the risk of electric shock.
- f) **If operating a power tool in a damp location is unavoidable, use a residual current device (RCD) protected supply.**
Use of an RCD reduces the risk of electric shock.

PERSONAL SAFETY

- a) **Stay alert, watch what you are doing, and use common sense when operating a power tool. Do not use a power tool while you are tired or under the influence of drugs, alcohol or medication.**
A moment of inattention while operating power tools may result in serious personal injury.
- b) **Use personal protective equipment. Always wear eye protection.**
Protective equipment such as dust masks, non-skid safety shoes, hard hats, or hearing protection used for appropriate conditions will reduce personal injuries.
- c) **Prevent unintentional starting. Ensure the switch is in the off-position before connecting to power source and/or battery pack, picking up or carrying the tool.**
Carrying power tools with your finger on the switch or energizing power tools that have the switch on invites accidents.

PERSONAL SAFETY

d) Remove any adjusting key or wrench before turning the power tool on.

A wrench or a key left attached to a rotating part of the power tool may result in personal injury.

e) Do not overreach. Keep proper footing and balance at all times.

This enables better control of the power tool in unexpected situations.

f) Dress properly. Do not wear loose clothing or jewelry. Keep your hair, clothing and gloves away from moving parts.

Loose clothes, jewelry or long hair can be caught in moving parts.

g) If devices are provided for the connection of dust extraction and collection facilities, ensure these are connected and properly used.

Use of dust collection can reduce dust-related hazards.

POWER TOOL USE AND CARE

a) Do not force the power tool. Use the correct power tool for your application.

The correct power tool will do the job better and safer at the rate for which it was designed.

b) Do not use the power tool if the switch does not turn it on and off.

Any power tool that cannot be controlled with the switch is dangerous and must be repaired.

c) Disconnect the plug from the power source and/or the battery pack from the power tool before making any adjustments, changing accessories, or storing power tools.

Such preventive safety measures reduce the risk of starting the power tool accidentally.

d) Store idle power tools out of the reach of children and do not allow persons unfamiliar with the power tool or these instructions to operate the power tool.

Power tools are dangerous in the hands of untrained users.

e) Maintain power tools. Check for misalignment or binding of moving parts, breakage of parts, and any other condition that may affect the power tools operation. If damaged, have the power tool repaired before use.

Many accidents are caused by poorly maintained power tools.

f) Keep cutting tools sharp and clean.

Properly maintained cutting tools with sharp cutting edges are less likely to bind and are easier to control.

g) Use the power tool, accessories and tool bits etc. in accordance with these instructions, taking into account the working conditions and the work to be performed.

Use of the power tool for operations different from those intended could result in a hazardous situation.

SERVICE

a) Have your power tool serviced by a qualified repair person using only identical replacement parts.

This will ensure that the safety of the power tool is maintained.

IMPORTANT SAFETY INSTRUCTIONS

READ AND UNDERSTAND ALL WARNINGS, CAUTIONS AND OPERATING INSTRUCTIONS BEFORE USING THIS EQUIPMENT.

Failure to follow all instructions listed below may result in electric shock, fire and/or serious personal injury.

CAUTION: **RISK OF ELECTRIC SHOCK.** Do not use with extension cord near water or where water may accumulate. Keep work light at least 16 feet from pools and spas. Keep plugs and receptacles dry. Use only three wire outdoor extension cords with grounded plugs and grounded receptacles.

WARNING: **TO REDUCE THE RISK OF FIRE, ELECTRIC SHOCK OR PERSONAL INJURY.** Do not use with extension cord near water or where water may accumulate. Keep work light at least 16 feet from pools and spas. Keep plugs and receptacles dry. Use only three wire outdoor extension cords with grounded plugs and grounded receptacles.

- Ground Fault Circuit Interrupter (GFCI) protection should be provided on the circuit(s) or outlet(s) to be used for wet location work light. Receptacles are available having the built-in GFCI protection and are able to be used for this measure of safety.
- Use only with an extension cord for outdoor use, such as an extension cord of cord type: SW, SW-A, SOW, SOW-A, STW, STW-A, STOW, STOW-A, SJW, SJW-A, SJOW, SJOW-A, SJTW, SJTW-A, or SJTOW, SJTOW-A.
- Do not look directly at the lighted lamps to avoid eye injuries.
- Always keep the work light away from any flammable surface or materials.
- Always check damaged or worn-out parts before using the work light. Broken parts will affect the work light operation. Replace or repair damaged or worn parts immediately. If repairs are needed, consult a professional electrician.

IMPORTANT SAFETY INSTRUCTIONS

- Do not use a pressure washer to clean this product.
- Do not modify the work light in any way. Unauthorized modification may impair the function and/or safety and could affect the life of the product. There are specific applications for which the work light was designed.
- Store work light in a secure place out of the reach of children. Inspect it for good working condition prior to storage and before re-use.

SPECIFICATIONS

360° TRIPOD WORKLIGHT SPECIFICATIONS

| | |
|--------------------|-------------------|
| PRODUCT WEIGHT | 10.1 lbs |
| PRODUCT FOOT PRINT | 38" x 38" |
| PRODUCT HEIGHT | 71 in. |
| CORD | 5 ft., 18/3, SJTW |
| RATED LED LIFE | 50,000 Hours |
| INPUT RATING | 120 VAC 50/60 Hz |
| OUTPUT RATING | 33 WATTS |

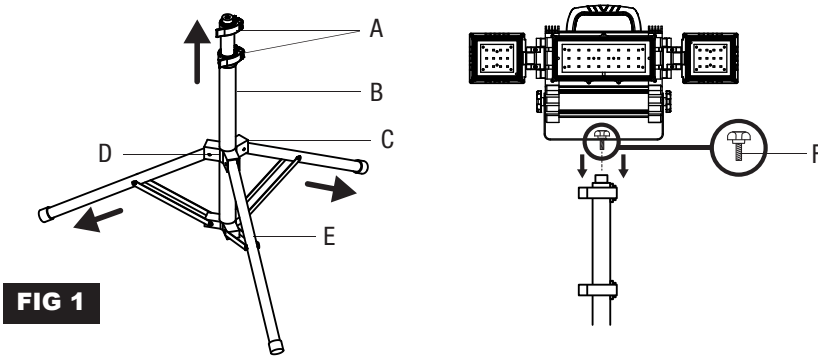
ASSEMBLY INSTRUCTION

ADJUSTING TRIPOD (Fig.1)

1. Depress and hold release button (D) then push down on leg connector (C) until the legs (E) are fully extended and lock in place.
2. Adjust the height of tripod (B) by un-latching the couplers (A) and raising the center pole of tripod (B). Latch and lock the couplers (A) when desired height is reached.

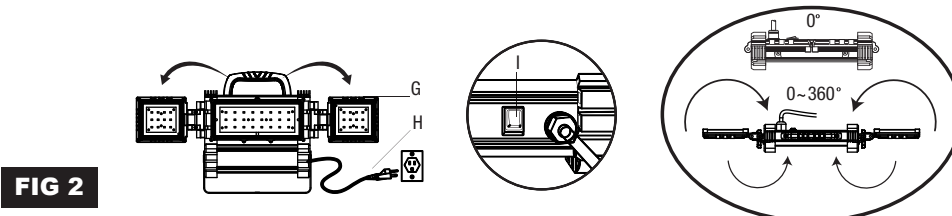
ATTACHING LIGHT PANEL

1. Attach metal frame of the light panel to the top of the tripod and secure with the knob (F).



TURNING WORKLIGHT ON AND OFF (Fig.2)

1. Swing open light panels (G) to expose all three LED panels. The side panels can rotate open between 0° and 360°.
2. Insert plug (H) into a 110-120 VAC electrical outlet and toggle the On/Off switch (I) to turn light on or off.



ASSEMBLY INSTRUCTION

ATTACHING LIGHT PANEL

1. Attach metal frame of the light panel to the top of the tripod and secure with the knob (F).

ADJUSTING LIGHT'S PITCH ANGLE (Fig.3)

1. Loosen knobs (J) to adjust pitch of light panels.
2. Tighten pivot knobs (J) when light is pointing in desired direction.

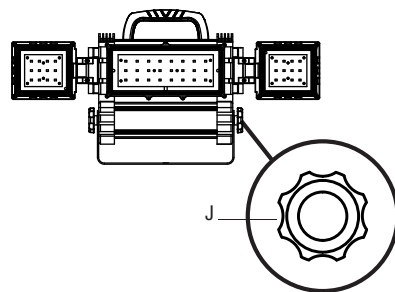


FIG 3

ILLUMINATOR™

2,500-LUMEN LED WORKLIGHT

ONE YEAR | LIMITED WARRANTY

This product is backed by a Limited One Year Warranty. This warranty covers manufacturer defects and workmanship. The warranty excludes misuse or abuse and normal wear and tear. Exclusion is not allowed in some states and may not apply. This warranty gives you specific legal rights, and you may have other rights, which vary from state to state.

CALIFORNIA PROPOSITION 65 WARNING: This product contains chemicals known to the State of California to cause cancer, birth defects, or other reproductive harm.

**SAVE YOUR RECEIPTS
THIS WARRANTY IS VOID WITHOUT THEM**