

99025

QUICKALIGN 6 PIPE CLAMP USER GUIDE

# STEELMAN™ PRO



## NOTE:

Thank you for purchasing the Steelman™PRO Quickalign 6 Pipe Clamp. To ensure safety and efficiency while using this product, please read this manual carefully. The manual contains important operating and safety instructions that will help ensure proper use of this product.

## CATEGORIES OF WARNING INDICATORS CONTAINED IN THIS MANUAL

This manual contains several instances of warning indicators that signify when particular caution should be exercised. The indicators are divided into 2 categories, "WARNING" and "CAUTION".

### ⚠ CAUTION:

This symbol indicates that extreme caution must be exercised, as incorrect use may cause death or serious injury.

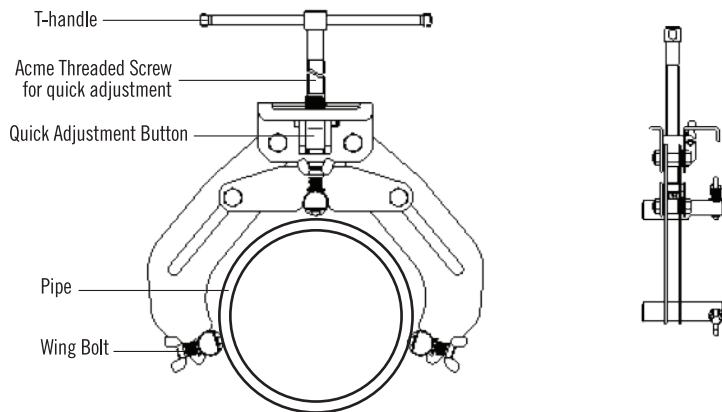
### ⚠ WARNING:

This symbol indicates that general caution should be exercised. Incorrect use may cause injury to the operator or physical damage to items.

## APPLICATIONS AND FEATURES

The Steelman™PRO Quickalign 6 Pipe Clamp is designed for holding pipe of up to 6 inches diameter for fitment during tack welding or other pipe service. The Pipe Clamp features a quick Adjustment Button that allows the user to quickly attach the clamp, align the pipes, and detach the clamp. The clamp allows for fine adjustment of alignment using adjustment screws and an easy grip handle that simplifies transport.

## PARTS DIAGRAM



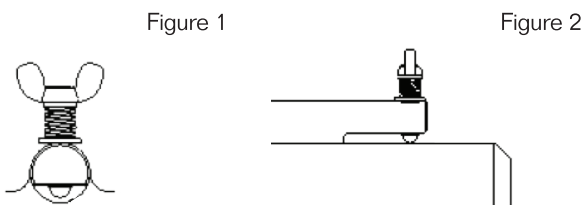
### ⚠ CAUTION:

Fingers can be pinched by the clamp if proper care is not taken when placing them on the clamp during operation.

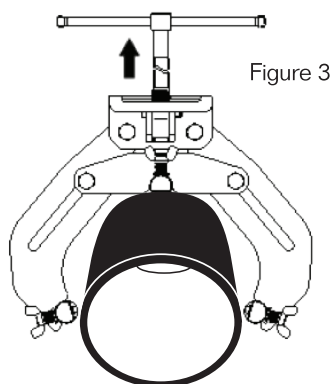
## OPERATION OF QUICKALIGN 6 PIPE CLAMP

Loosen all three Wing Bolts above each pipe connection point (Figure 1). While depressing the Quick Adjust Button, hold the grip and lift up on the T-handle to open the claw.

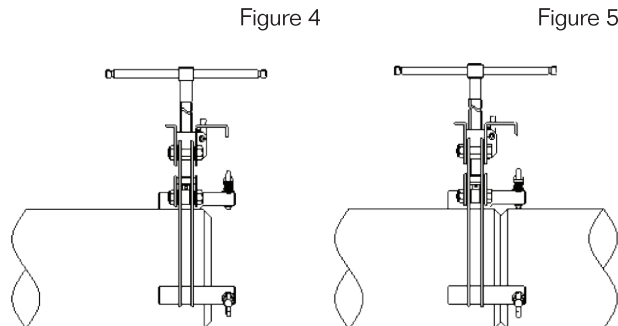
Tighten the Wing Bolts at the pipe connection points until the tips come into contact with the pipe, do not overtighten (Figure 2).



Loosen the T-handle and move the Pipe Clamp toward the end of the main pipe until the pipe connection points are hanging over the edge of the main pipe. Tighten the T-handle bolt to fix the clamp on the main pipe (Figure 3).



Loosen the upper Wing Bolt 2-3 revolutions and slide pipe or fitting that is to be welded between the pipe contact points (Figure 4), retighten upper Wing Bolt until it is in contact with pipe or fitting (Figure 5).



### NOTE:

If pipe is not aligned with the pipe or fitting to be welded, further adjustment of pipe contact point Wing Bolts may be necessary.

### NOTE:

If a gap between the pipes is desired, secure the necessary clearance before tightening the Wing Bolts on the pipe contact points.

The pipe is now ready for welding.

After welding is complete, remove the Quickalign 6 Pipe Clamp by loosening the T-handle and pulling up on the T-handle with one hand while depressing the Quick Adjust Button with the other. The claw will freely open.

### ⚠ WARNING:

The pipe or fitting to be welded should always be supported by a pipe stand or table.

### ⚠ WARNING:

- Always inspect the Quickalign Pipe Clamp for damage before use
- Never use the Quickalign Pipe Clamp on a pipe or fitting that is not supported by a pipe stand or table
- This product is intended for use only for the fixing and alignment of pipes and fittings. Do not use this product to lift or transport pipes and fittings
- This product is not intended to be dropped or impacted. Inspect for any damage in case of accidental impact.
- Do not attempt to modify this product in any way. Any modification may be dangerous to the user and will void the warranty.

Steelman™ PRO Quickalign 6 Pipe Clamp is backed by a Lifetime warranty. This warranty covers manufacturer defects and workmanship. The warranty excludes misuse or abuse and normal wear and tear. Exclusion is not allowed in some states and may not apply. This warranty gives you specific legal rights, and you may have other rights, which vary from state to state.

Made in China